

Specification

Power requirements:

Supply Voltage Range:	100 – 240 Vac \pm 10%
Supply Frequency:	50 – 60 Hz
Maximum supply current:	5.2 Amps (when relay 5 is fully loaded)
Typical supply current:	<1 Amp
Operating temperature range:	+5C to +50C
Operating Humidity:	95% maximum
Storage temperature range:	-20.0C to +65.0C
Environmental:	Indoor use at altitudes up to 2000m, Pollution Degree 1, Installation Category II. Voltage fluctuations not to exceed \pm 10% of nominal voltage

Dimensions:

Size	78mm (W) x 36mm (H) x 112mm (D)
Approx Weight:	180 Grams
Safety:	EN60730-1
EMC:	EN61326-1 2006
Ventilation:	There is no requirement for forced cooling ventilation
Class 2 Insulation:	No protective Earth is required and none should be fitted.

The host equipment must provide a suitable external over-current protection device such as: -

Fuse:	6.3A 240 Vac Antisurge (T) HRC conforming to IEC 60127
Or MCB:	6A, 240 VAC Type C conforming to BS EN 60898

The host equipment must provide adequate protection against contact to hazardous live parts.

Inputs:

Analogue:	(X7) Channels 1-6 = PT1000 or 5K or 10K or 2K2 (selectable) Channel 7 configurable for current, voltage, additional temperature sensor
Digital:	(X2) (selectable)

Comms:

On-board RS485 or Ethernet 10/100baseT or Wi-Fi (order option)

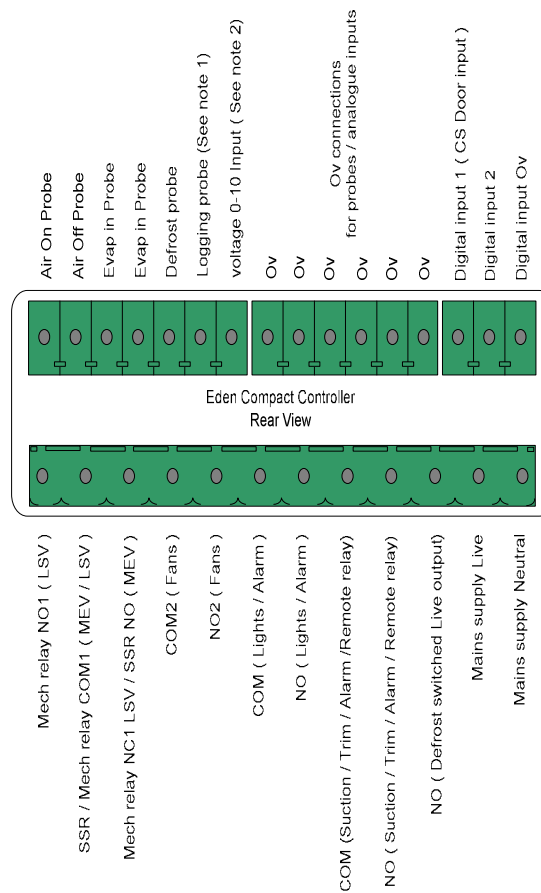
Relays:

Max current relay 1:	6A (non inductive)	LSV Version
	COS =0.4 2A (inductive load) >200,000 operations	LSV Version
Max Voltage relay 1:	250Vac, 30V dc	LSV Version
Exclusive common		
Max current relay 1:	1.5A (SSR Zero – Crossing)	EEV Version
Max Voltage relay 1:	280Vac	EEV Version
Exclusive common		
Max current relay 2:	6A (non inductive),	
	COS =0.4 2A (inductive load) >200,000 operations.	
Max Voltage relay 2:	250Vac , 30V dc	
Exclusive common		
Max current relay 3:	6A (non inductive),	
	COS =0.4 2A (inductive load) >200,000 operations.	
Max Voltage relay 3:	250Vac 30V dc	
Exclusive common		

Specification

Max current relay 4:	6A (non inductive), COS =0.4 2A (inductive load) >200,000 operations.
Max Voltage relay 4: Exclusive common	250Vac
Max current relay 5:	6A (non inductive), COS =0.4 2A (inductive load) >200,000 operations.
Max Voltage relay 5: Common connected to Supply Live	250Vac (Internal supply)

Connector Pin-outs:



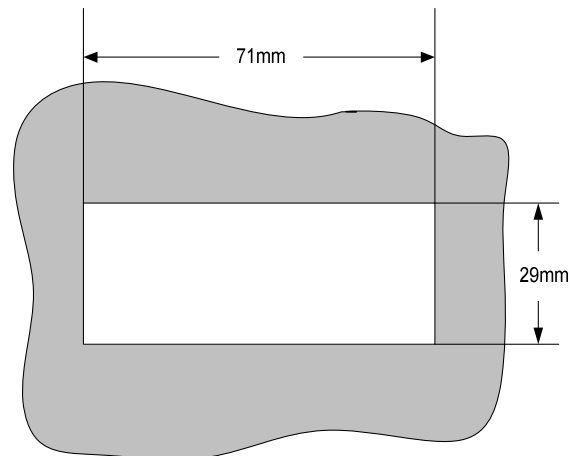
Clearances:

- Allow 20mm on right hand side
- Allow 20mm on left hand side
- Allow 120mm behind panel

Specification

Installation:

Panel Cut-out:



The controller is secured via the retaining clips on each side. These should be firmly pushed against the internal panel material. The retaining clips can be simply removed by pressing the rear of the clip and sliding back.

The Edén compact display bezel has the following dimensions: - 78mm x 36mm

Part Numbers for order:

Controller Type	Order Code
Edén Compact 485 EEV Display	EC2111
Edén Compact 485 EEV No Display	EC2211
Edén Compact 485 LSV Display	EC2112
Edén Compact 485 LSV No Display	EC2212
Edén Compact Ethernet EEV No Display	EC2121
Edén Compact Ethernet EEV No Display	EC2221
Edén Compact Ethernet LSV Display	EC2122
Edén Compact Ethernet LSV No Display	EC2222
Edén Compact Wi-Fi EEV No Display	EC2131
Edén Compact Wi-Fi EEV No Display	EC2231
Edén Compact Wi-Fi LSV Display	EC2132
Edén Compact Wi-Fi LSV No Display	EC2232